



Part Number	
Customer	
Document Number	V2_20170213

Technical Information

POC Balancing KIT Accessory

Authorized Distributor:

ES COMPONENTS

108 PRATTS JUNCTION ROAD STERLING, MA 01564

PHONE: (978)422-7641

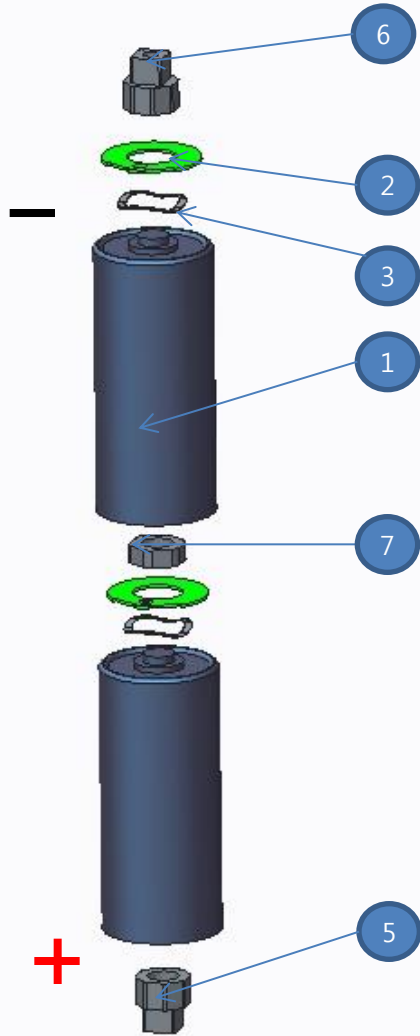
FAX: (978)422-0011

www.escomponents.com/ultracapacitors-ls-mtron/

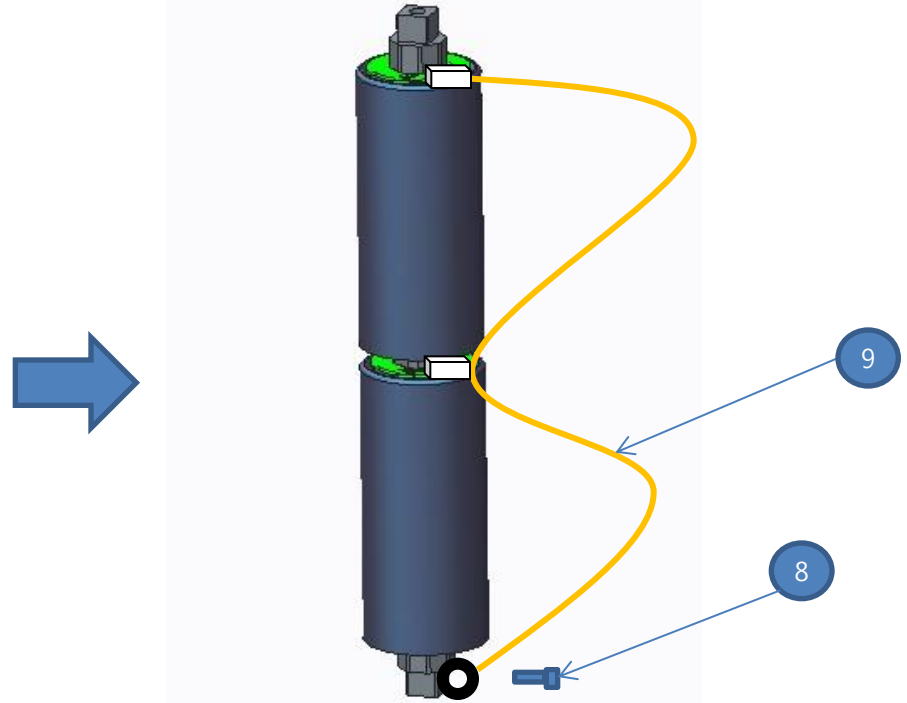


1. ST01 CTC Type Accessory

1) Assembly of POC



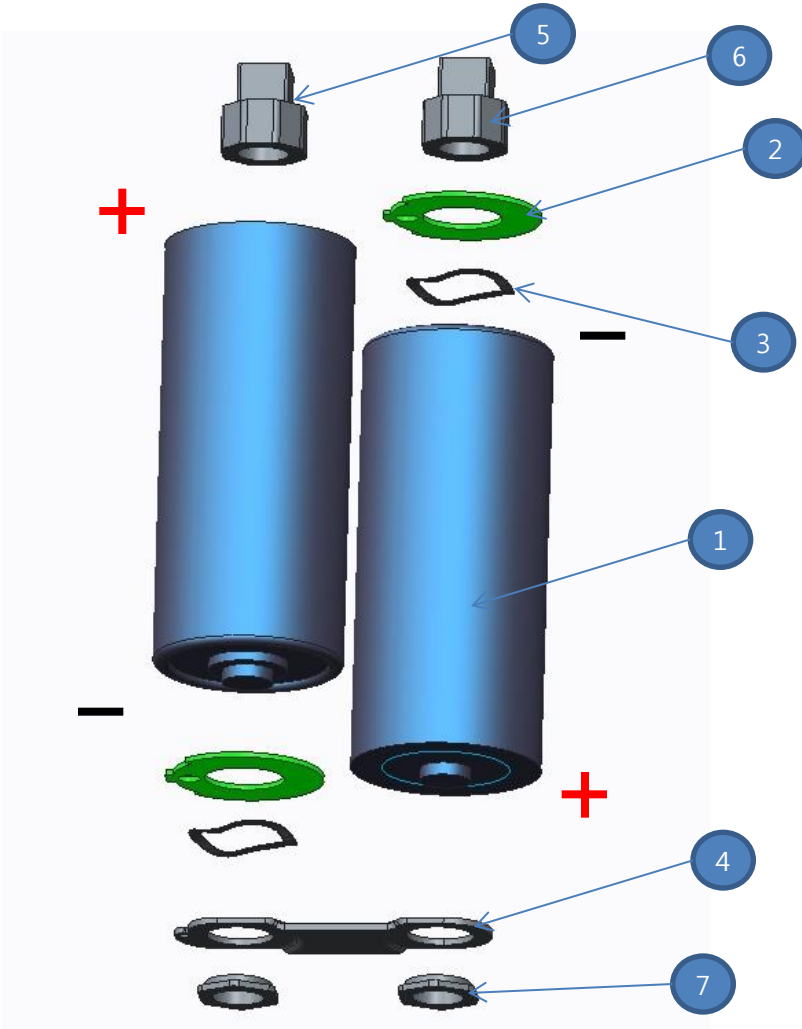
2) Harness assembly



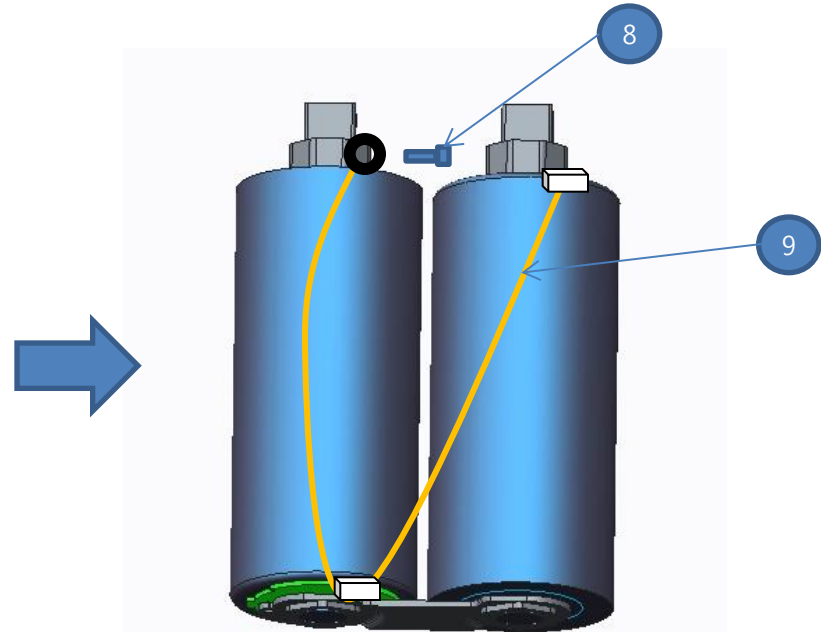
No.	Part Number	Code	Quantity
1	LSUC 002R7C 3000F EA ST01	6207211	2 EA
2	POC A-2.6 P-O	7602668	2 EA
3	Wave washer-C3000M48	7602806	2 EA
4	BUSBAR ST01	7283801	No need
5	TERMINAL ST01 M8	7283803	1 EA
6	TERMINAL ST01 M10	7283804	1 EA
7	CTC NUT	7602667	1 EA
8	M3*L4 Bolt (FOR HARNESS)	Universal	1 EA
9	HARNESS	Variable	1 EA

2. ST01 Busbar Type Accessory

1) Assembly of POC



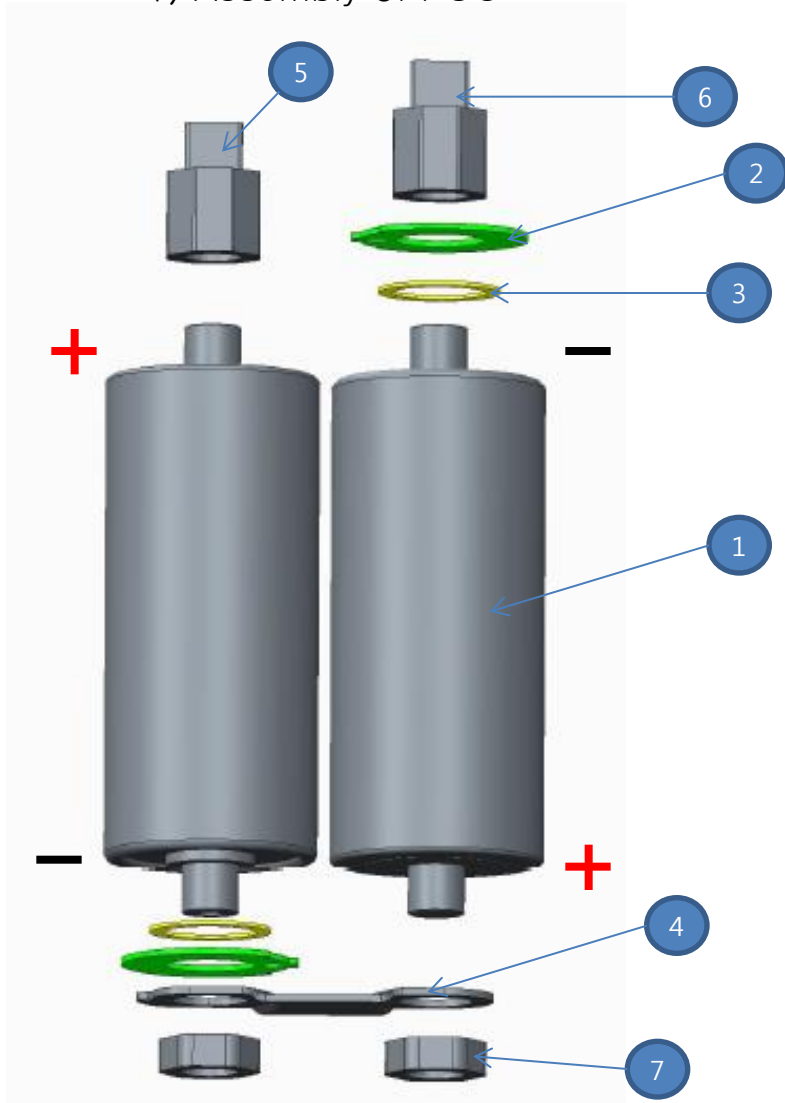
2) Harness assembly



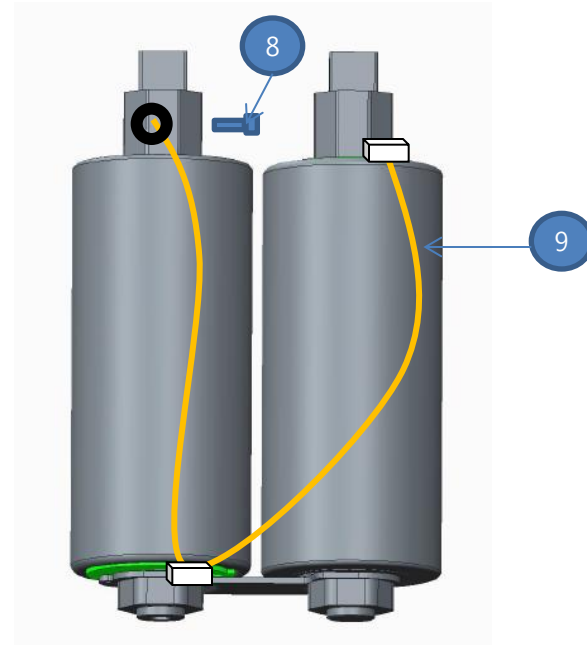
No.	Part Number	Code	Quantity
1	LSUC 002R7C 3000F EA ST01	6207211	2 EA
2	POC A-2.6 P-O	7602668	2 EA
3	Wave washer-C3000M48	7602806	2 EA
4	BUSBAR ST01	7283801	1 EA
5	TERMINAL ST01 M8	7283803	1 EA
6	TERMINAL ST01 M10	7283804	1 EA
7	BUSBAR ST01 JOINT NUT	7283802	2 EA
8	M3*L4 Bolt(FOR HARNESS)	Universal	1 EA
9	HARNESS	Variable	1 EA

3. LT01 Accessory

1) Assembly of POC



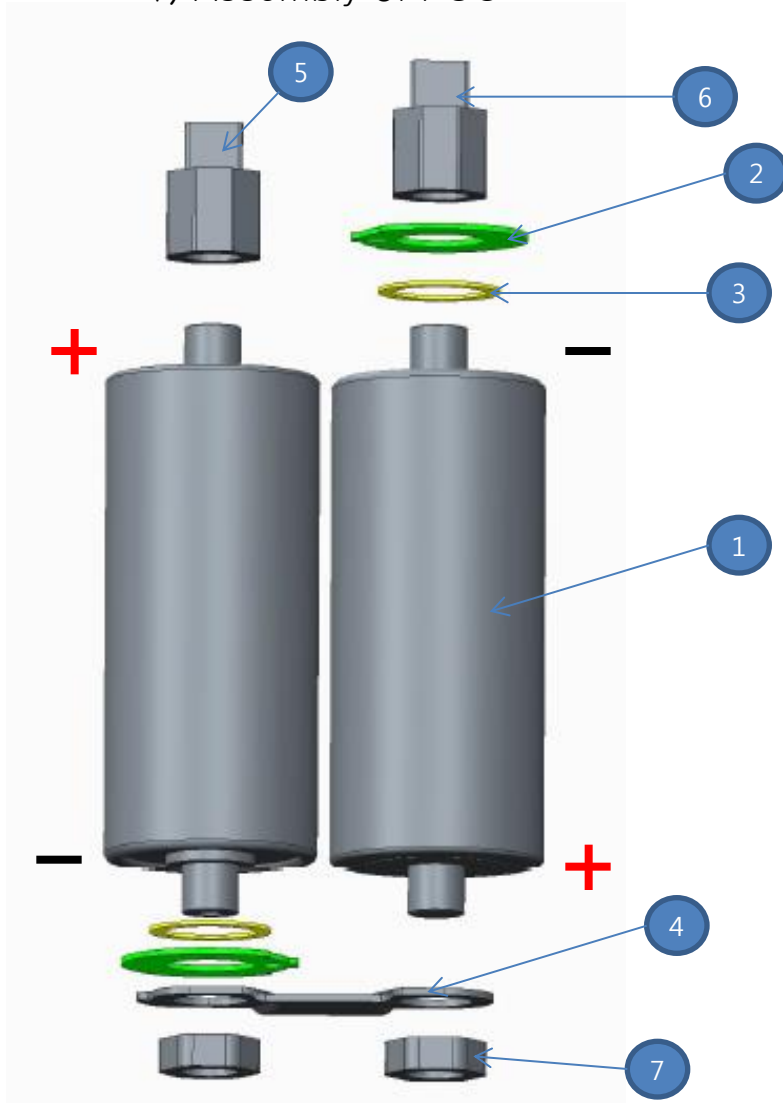
2) Harness assembly



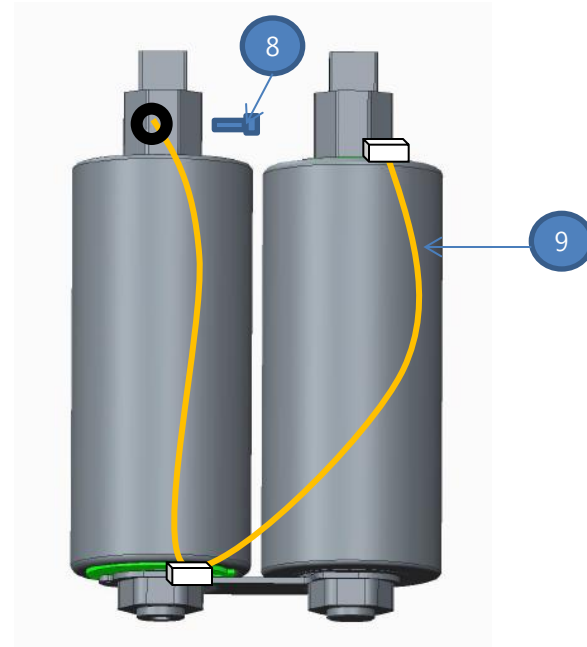
No.	Part Number	Code	Quantity
1	LSUC 002R7C 3000F EA LT01	6207944	2 EA
2	POC A-2.6 P-O	7602668	2 EA
3	Wave washer-C3000M48	7602806	2 EA
4	BUSBAR LT01	7299230	1 EA
5	TERMINAL LT01 M8	7299231	1 EA
6	TERMINAL LT01 M10	7299232	1 EA
7	BUSBAR LT01 JOINT NUT	Universal	2 EA
8	M3*L4 Bolt(FOR HARNESS)	Universal	1 EA
9	HARNESS	Variable	1 EA

3. LT02 Accessory

1) Assembly of POC

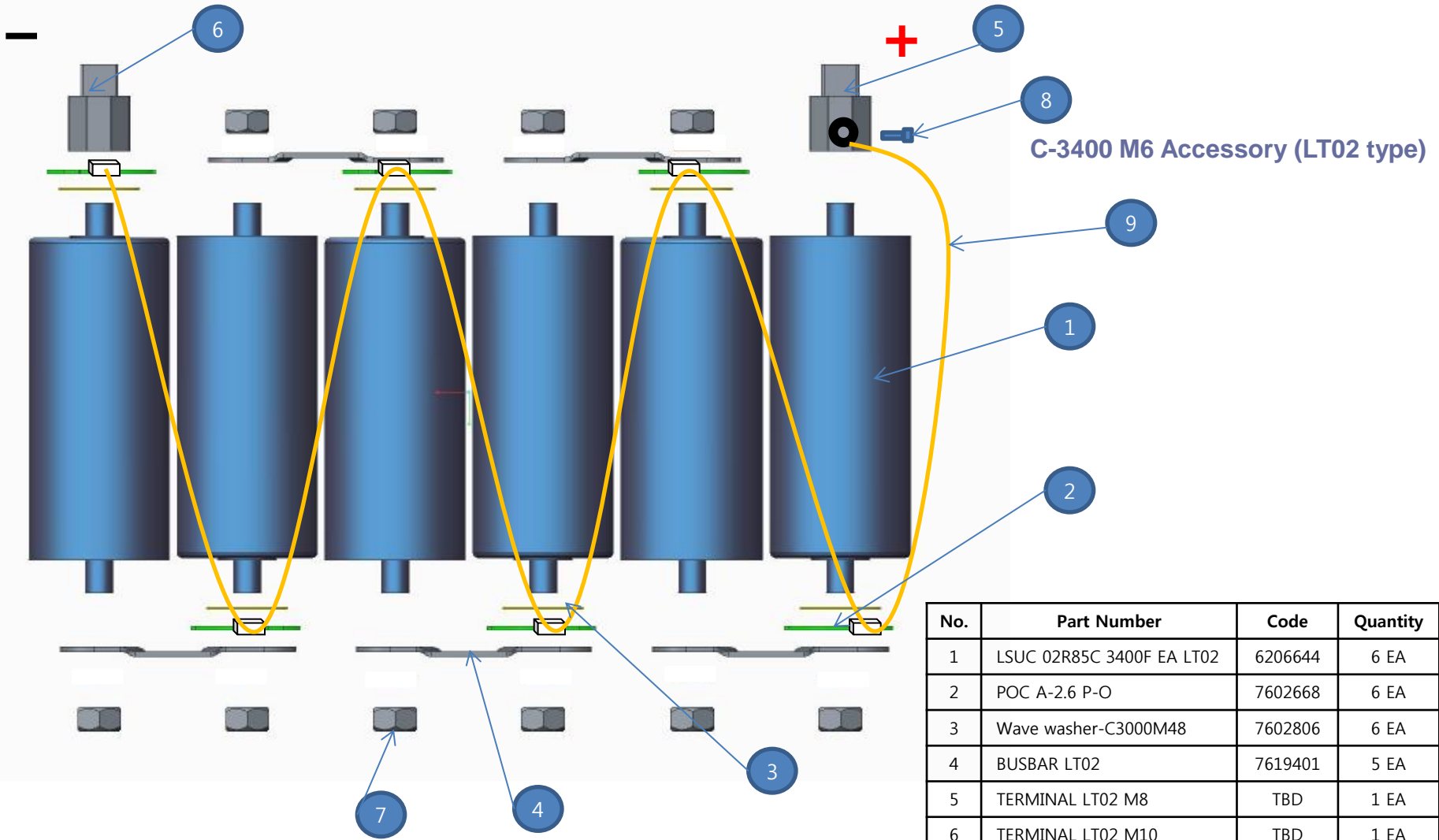


2) Harness assembly

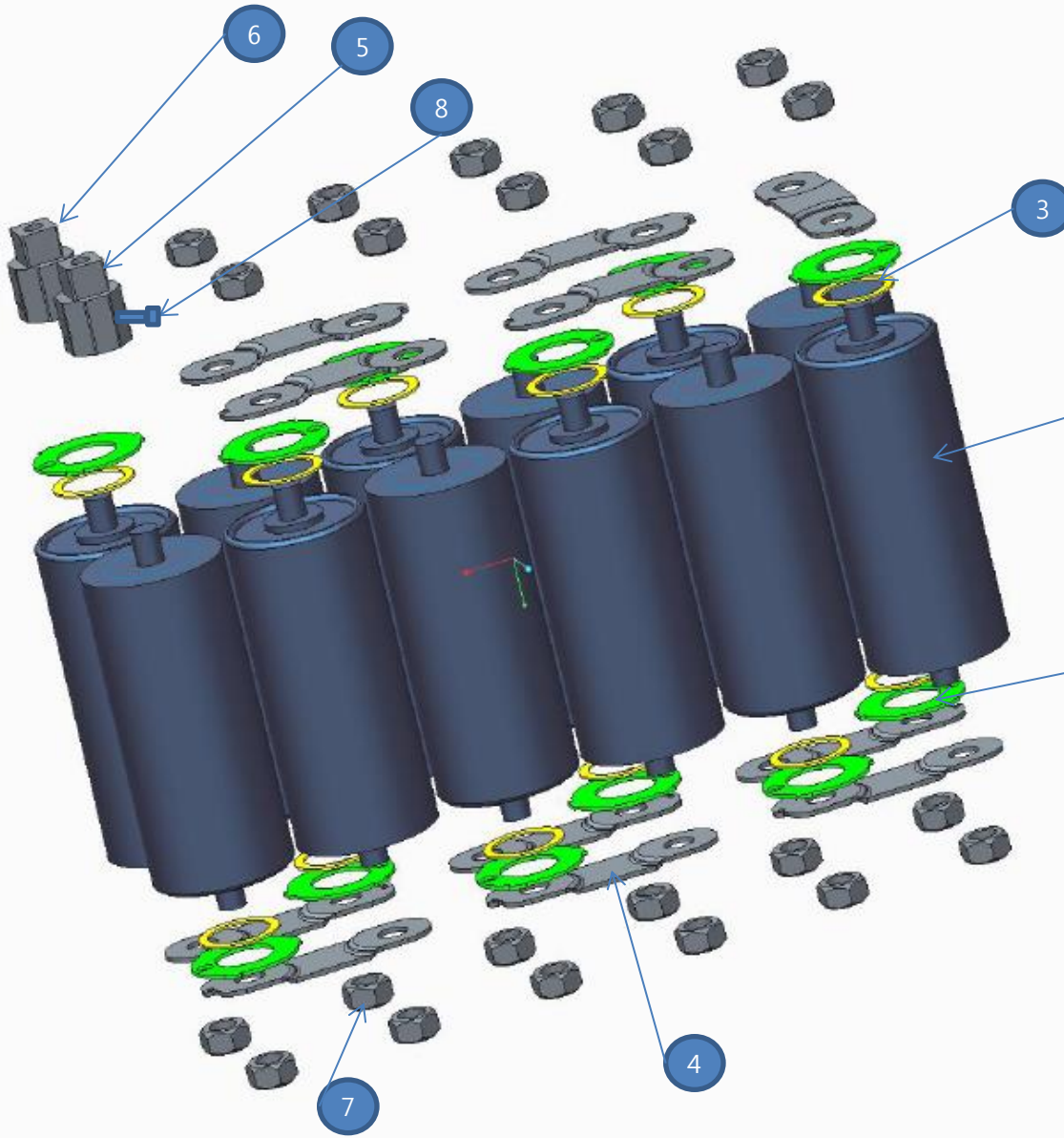


No.	Part Number	Code	Quantity
1	LSUC 002R7C 3000F EA LT02	6207944	2 EA
2	POC A-2.6 P-O	7602668	2 EA
3	Wave washer-C3000M48	7602806	2 EA
4	BUSBAR LT02	7619401	1 EA
5	TERMINAL LT02 M8	TBD	1 EA
6	TERMINAL LT02 M10	TBD	1 EA
7	BUSBAR LT02 JOINT NUT	Universal	2 EA
8	M3*L4 Bolt(FOR HARNESS)	Universal	1 EA
9	HARNESS	Variable	1 EA

LS ULTRACAPACITOR



No.	Part Number	Code	Quantity
1	LSUC 02R85C 3400F EA LT02	6206644	6 EA
2	POC A-2.6 P-O	7602668	6 EA
3	Wave washer-C3000M48	7602806	6 EA
4	BUSBAR LT02	7619401	5 EA
5	TERMINAL LT02 M8	TBD	1 EA
6	TERMINAL LT02 M10	TBD	1 EA
7	BUSBAR LT02 JOINT NUT	Universal	10 EA
8	M3*L4 Bolt(FOR HARNESS)	Universal	1 EA
9	HARNESS 1-6	7616906	1 EA



C-3400 M12 Accessory (LT02 type)

No.	Part Number	Code	Quantity
1	LSUC 02R85C 3400F EA LT02	6206644	12 EA
2	POC A-2.6 P-O	7602668	12 EA
3	Wave washer-C3000M48	7602806	12 EA
4	BUSBAR LT02	7619401	11 EA
5	TERMINAL LT02 M8	TBD	1 EA
6	TERMINAL LT02 M10	TBD	1 EA
7	BUSBAR LT02 JOINT NUT	Universal	22 EA
8	M3*L4 Bolt(FOR HARNESS)	Universal	1 EA
9	HARNESS 1-4	7608313	1 EA
10	HARNESS 5-8	7608314	2 EA